



CAREL
WOODWORKS



COLLABORATIONS

Ramos (Meeting + Round)	P.62
Estella	P.64
Tono + Coffee table	P.65
Contract Tables (Chimo + Lalo)	P.66
Whiteboard Table	P.68
Tonin Cocktail	P.69

OCASSIONAL TABLES

Farmhouse Ocassional	P.38
Nirvana Ocassional	P.39
Captain Morgan Ocassional	P.40
Arizona	P.41
Sonic	P.42
Montana	P.44

COLLECTIONS

TABLES

Alien	P.8
Sasa Metal	P.15
Sasa Wood	P.16
Captain Morgan	P.20
Leo	P.21
Jersey	P.22
Farmhouse	P.24
Otis	P.28
Nirvana	P.29
Parquet	P.30
Horeca	P.31
Custom	P.32
Jurassic	P.34
Puzzles	P.35

CABINETS

ZigZag	P.48
ZagZig	P.49
Simba Case	P.50
Simba TV Stand	P.51
Simba Glass Cupboard	P.52
Simba Bookshelf	P.53

SEATING

Barstool	P.56
Tonic Low Stool	P.57
Chess	P.58
Genesis	P.59

Wood, a story of the forest, take the story further

Carel Woodworks is a woman owned family business, making bespoke solid wood furniture in our state of the art factory near the Carpathians mountains of Transylvania.

The company was founded by Elena Birtoc and Carlos Zamorano in 2001 and is a member of the governing board of the Association of Romanian Furniture Manufacturers (APMR).

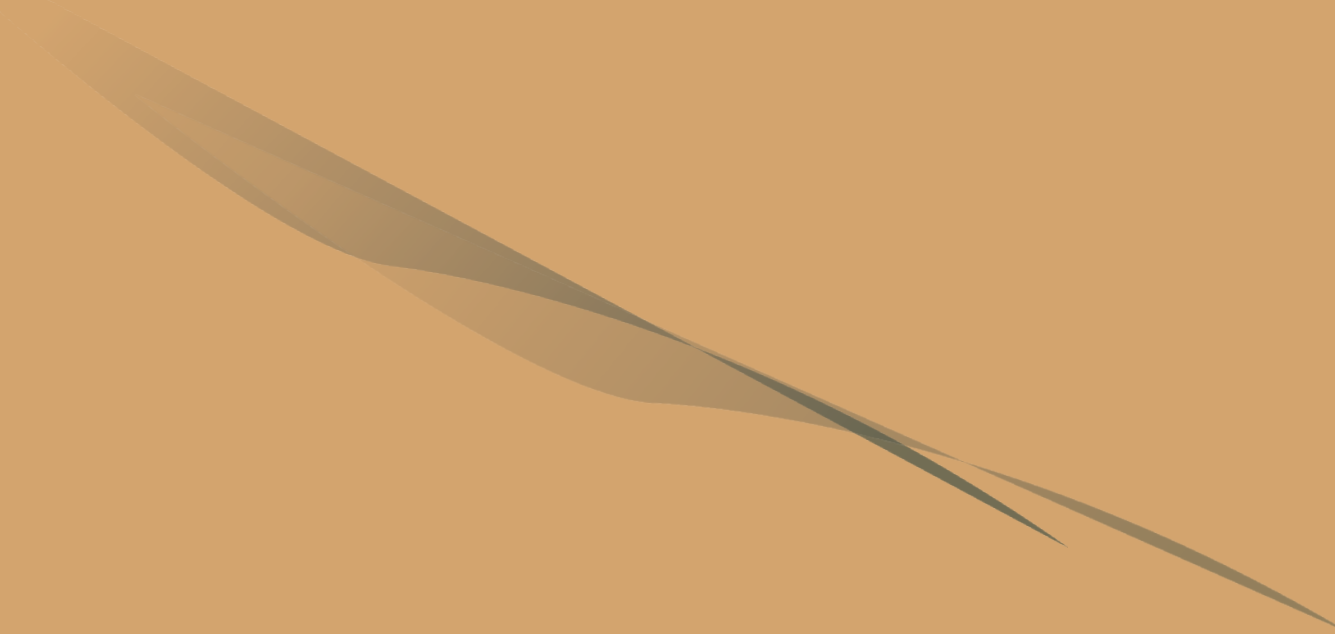
Using reclaimed and FSC certified wood, our passion is to create timeless heirlooms that enhance the spaces they are in, incorporating all the details required for functionality and style.

Welcome to our World!



TABLES

COLLECTIONS



Alien	P.8
Sasa Metal	P.15
Sasa Wood	P.16
Captain Morgan	P.20
Leo	P.21
Jersey	P.22
Farmhouse	P.24
Otis	P.28
Nirvana	P.29
Parquet	P.30
Horeca	P.31
Custom	P.32
Jurassic	P.34
Puzzles	P.35



ALIEN

One of Carel's earliest designs, this table still holds its own by providing our customers with simple yet high quality materials.



SASA

Carel's standard Oak & Metal collection is a timeless table which offers different versions in metal and wooden legs, in a combination which looks for modernity while still maintaining its refinement.

CAPTAIN MORGAN

One of our wood products, this design was intended to make you feel like dining on a warm summer evening on the sea.

LEO

A smart and stylish wooden table, Leo will bring joy and elegance in your homes

20



Product Name **Captain Morgan**
SKU CAP-M-01

Available Sizes	Top Depth (mm)
200x100	40
220x100	40
240x100	40



Product Name **Leo**
SKU LEO-01

Available Sizes	Top Depth (mm)
180x80	30
200x100	30
220x100	30
240x100	30
260x120	30

21





JERSEY

A smart and imposing wooden round table brought to you by Carel's design team. Another iconic wooden product, the oak or pine legs ensure a great stability to the massive royal oak top.



Product Name **Jersey 4D**
SKU JER-4D-01

Available Sizes	dia 100	dia 120	dia 140
Top Depth (mm)	30	30	30



Product Name **Jersey Brancusi**
SKU JER-B-02

Available Sizes	dia 100	dia 120	dia 140
Top Depth (mm)	30	30	30



Product Name **Jersey Turned**
SKU JER-T-03

Size	dia 100	dia 120	dia 140
Top Depth (mm)	30	30	30



FARMHOUSE EXTENDABLE

Farmhouse is the extendable option within CAREL product range. A solid design offered in two different legs versions (slim or bold) to propose a stable, long-lasting table.

24



Product Name **Farmhouse Extendable Slim**
SKU FAR-S-02

Available Sizes	160x80	180x100	200x100	220x100
Top Depth (mm)	20+20	20+20	20+20	20+20

*(extensions included)

25

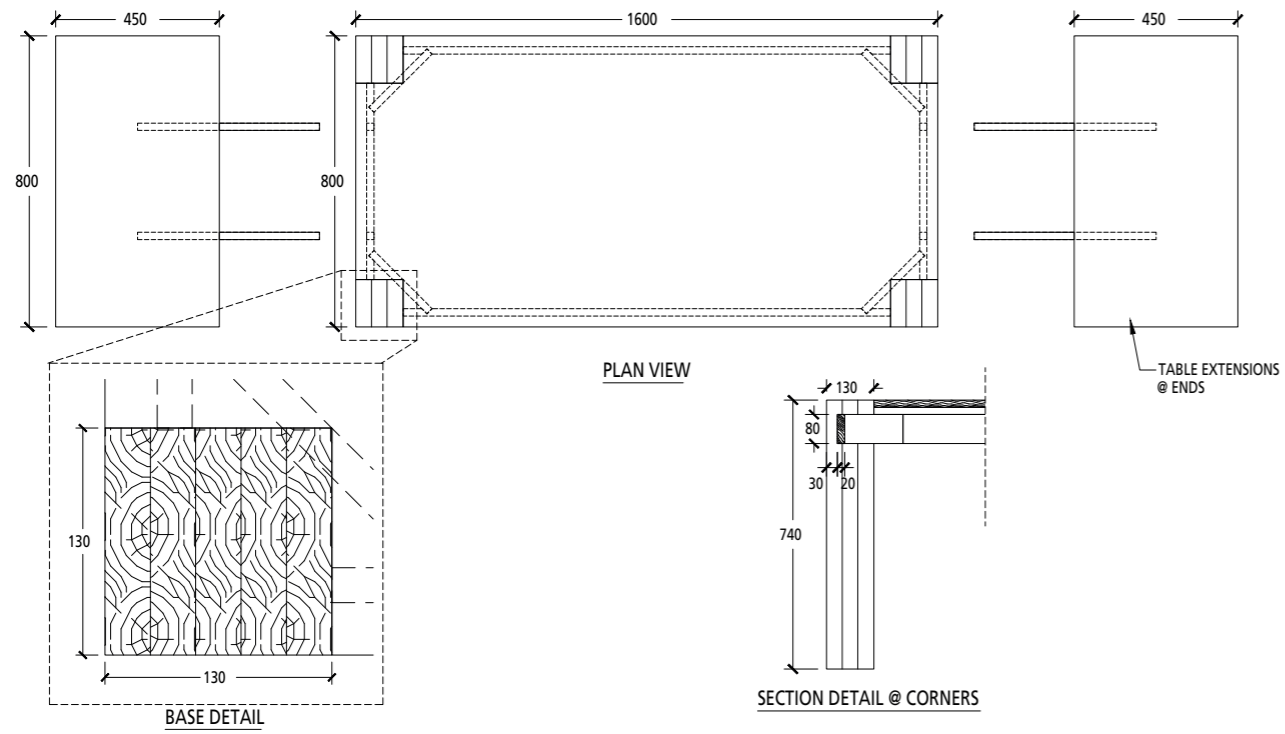


Product Name **Farmhouse Extendable Bold**
SKU FAR-E-01

Available Sizes	160x80	180x100	200x100	220x100
Top Depth (mm)	20+20	20+20	20+20	20+20

*(extensions included)

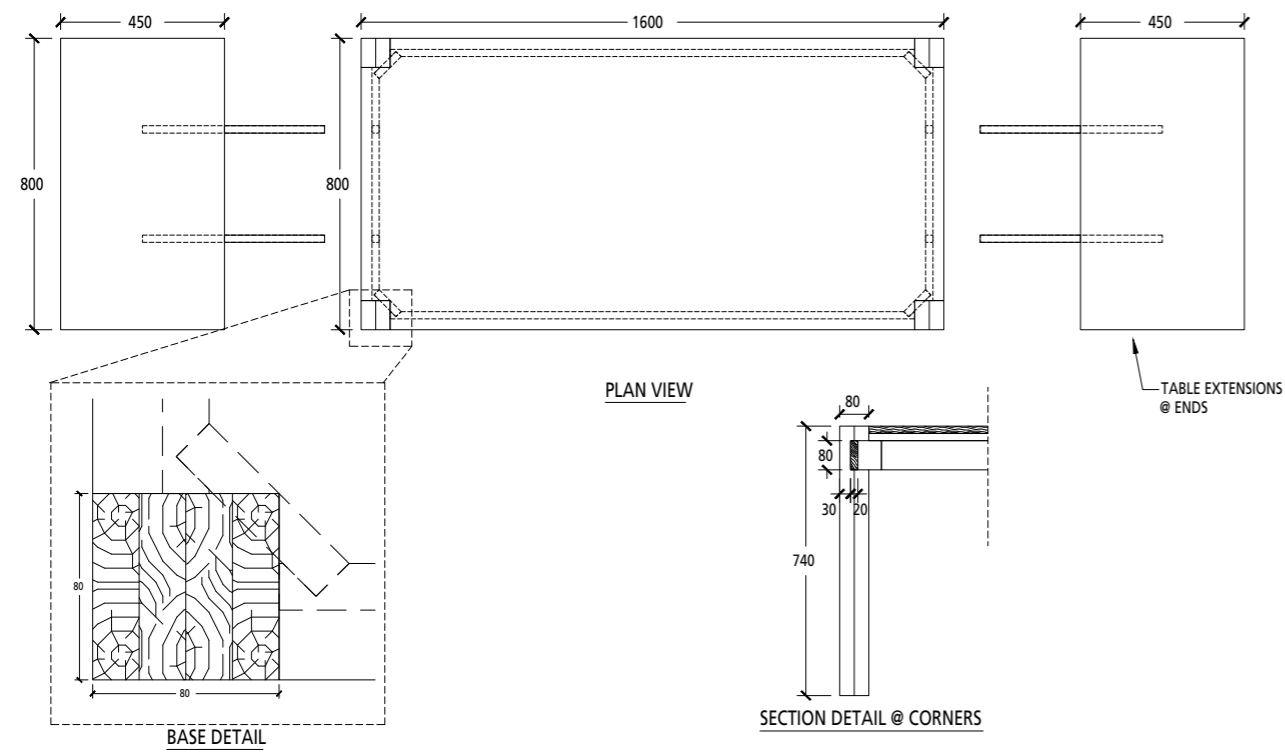
FARMHOUSE EXTENDABLE BOLD



Farmhouse Extension detail

26

FARMHOUSE EXTENDABLE SLIM



Surface detail

OTIS

The Otis table is a simple, yet elegant oak top paired nicely with the different legs options made of lacquered pine.

NIRVANA

The Nirvana collection presents a gorgeous natural oak dining room centerpiece for those with a passion for raw yet modern interiors with a touch of period style. The legs can be stained solid pine or natural solid oak, both versions are elegantly arched and crafted, ensuring that this dining table looks impressive from any angle of the room.



Product Name **Otis Taps**
SKU OTIS-T-01

Product Name **Otis Rounded**
SKU OTI-R-03

Product Name **Nirvana white legs + natural top**
SKU NIR-CAS-02

Product Name **Nirvana black legs + natural top**
SKU NIR-CAS-02

Product Name **Otis Queen**
SKU OTI-Q-02

Product Name **Nirvana white lacquered**
SKU NIR-CAS-02

Product Name **Nirvana natural Oak**
SKU NIR-CAS-01

Available Sizes	140x80	160x80	180x80	200x100	220x100	240x100	260x100	280x120	300x120
Top Depth (mm)	18+18	18+18	18+18	18+18	18+18	18+18	18+18	18+18	18+18

Available Sizes	140x80	160x80	180x80	200x100	220x100	240x100	260x100	280x120	300x120
Top Depth (mm)	25+25	25+25	25+25	25+25	25+25	25+25	25+25	25+25	25+25

PARQUET

The parquet is now for dining too! Not only used on the floors. You will definitely be amazed by this concept that combines the metal structure with the parquet pieces.



Product Name **Wales**
SKU WAL-P-03

Size	Diam. 150
Top Depth (mm)	50



Excelsior
EXC-P-01

Size	200x100	240x100
Top Depth (mm)	50	50



Barny
BAR-P-02

Size	210x100	250x115
Top Depth (mm)	50	50



Product Name **Mario Round**
SKU MAR-R-01

Size	dia 60	dia 70	dia 80	dia 100
Top Depth (mm)	30	30	30	30



Skyler
SKY-01

Size	70x70
Top Depth (mm)	20



Mario Squared
MAR-S-02

Size	60x60	70x70	80x80	100x100
Top Depth (mm)	30	30	30	30

CUSTOM

With characteristic structures designed to give personality to the spaces they will be placed in, Custom offers two different options: Sunny or Riley 3D.



Product Name **Sunny**
SKU SUN-01



Riley 3D
RIL-3D-01

Available Sizes	200x100	220x100	240x100	260x100
Top Depth (mm)	30	30	30	30

Available Sizes	200x100	Top Depth (mm)	30
	220x100		30
	240x100		30
	260x100		30

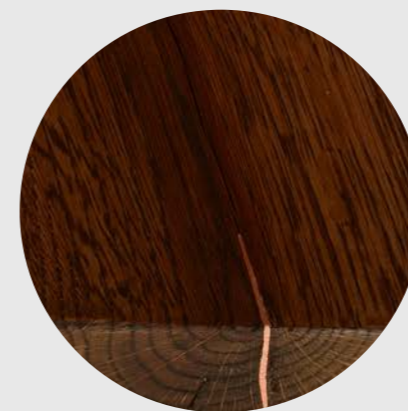
COPPER

Taken his name from copper-filled table top, this collection offers an unique and resistant design.



Product Name **Copper Cargo**
SKU COP-P-01

* Top produced with copper insertions.



Detail of the Copper Cargo surface.

Available Sizes	200x100	220x100	240x100	260x100	280x120	300x120
Top Depth (mm)	30	30	30	30	30	30

JURASSIC

Carel's visit card on the international fair market. The Jurassic was highly acclaimed all over the world because of its massive size and 9cm depth oak top.

PUZZLES

Featuring a unique shape design, this table is crafted from solid oak and it can seat up to 12 people at your next power lunch or board meeting.



Product Name **Jurassic**
SKU JUR-01

Available Sizes	240x100	260x100	280x100	300x100	340x100	380x100
Top Depth (mm)	90	90	90	90	90	90



Product Name **Puzzles**
SKU PUZ-01

Size	Top Depth (mm)
140x140	30

OCCASSIONAL TABLES

COLLECTIONS

Farmhouse Occasional	P.38
Nirvana Occasional	P.39
Captain Morgan Occasional	P.40
Arizona	P.41
Sonic	P.42
Montana	P.44

FARMHOUSE

OCASSIONAL

With this classic product you can really see the beauty of the timber shining in your living room.



Product Name **Farmhouse Coffee**
SKU FAR-C-03



Size	Top Depth (mm)
130x80	20+20

NIRVANA

OCASSIONAL

The little version of the Nirvana Table is equally impressive in a living room with its depth and outstanding legs.



Product Name **Nirvana Coffee**
SKU NIR-C-03



Size	Top Depth (mm)
130x80	25+25



CAPTAIN MORGAN

OCASSIONAL

The Commander's favorite coffee table brings a rustic feeling due to its old reclaimed wood.

ARIZONA

Thin and subtle, the Arizona Table will fit with many styles because of its minimalistic design.



Product Name **Captain Morgan Coffee**
SKU CAP-M-C-02

Size	Top Depth (mm)
100x60	40



Product Name **Arizona**
SKU ARI-01

Available Sizes	80x80	100x100
Top Depth (mm)	20	20

SONIC

A modern coffee table with a parquet pattern in the middle of it that is held together by a thin metal structure.



42



Product Name **Sonic**
SKU SON-01

43



Available Sizes	80x80	100x100
Top Depth (mm)	30	30

MONTANA

This coffee table combines the different timber elements in a beautiful piece that creates a warm feeling in your living room.



Product Name **Montana**
SKU MON-01



Size	Top Depth (mm)
90x90	30

CABINETS

COLLECTIONS

ZigZag	P.48
ZagZig	P.49
Simba Case	P.50
Simba TV Stand	P.51
Simba Glass Cupboard	P.52
Simba Bookshelf	P.53

ZIGZAG

A wooden cabinet produced with an interesting pattern that will definitely put a unique touch in every room it touches.

ZAGZIG

The second version of ZigZag, it maintains the same unique wooden patterns.



Product Name **ZigZag**
SKU ZIG-Z-01

Measures
120x48x85



Product Name **ZagZig**
SKU ZIG-Z-02

Measures
200x48x85



SIMBA

Carel's home proposal are comprised within the Simba collection. Your entire living room setup made completely out of oak.



SIMBA CASE



Product Name **Simba Case 1**
SKU SIM-C-01



Product Name **Simba Case 2**
SKU SIM-C-02

SKU	Product Name	Measures
SIM-C-01	Simba Case 1	172x48x93
SIM-C-02	Simba Case 2	224x48x93

SIMBA TV STAND



Product Name **Simba TV Stand**
SKU SIM-TV-S-03

The TV Stand in the Simba Collection. It is made entirely out of oak and has 2 doors that you can open plus an additional wooden shelf.

Measures
171x48x56

SIMBA GLASS CUPBOARD

The Simba Glass Cupboard works perfectly in the living room as a showcase for you favorite objects.



52

Product Name **Simba Glass Cupboard 1**
SKU SIM-G-C-04



Simba Glass Cupboard 2
SIM-G-C-05



Simba Glass Cupboard 3
SIM-G-C-07

SKU	Product Name	Measures
SIM-G-C-04	Simba Glass Cupboard 1	70x43x188
SIM-G-C-05	Simba Glass Cupboard 2	103x43x188
SIM-G-C-07	Simba Glass Cupboard 3	118x43x158

SIMBA BOOKSHELF

The Simba Bookshelf offers the same level of elegance and naturality as the rest of our collection.



53

Product Name **Simba Bookshelf**
SKU SIM-B-06

Measures
103x43x188

CAREL STOOL

The wonderfully designed Carel Stool is a pleasure to have at your Bar, Restaurant, Café or even your own home! Oak top with a black metal structure.
Designed and created by Gora & Carel.

TONIC LOW STOOL

A lower variant of a stool, the Tonic one is a great addition to your Café with its comfortable oak seat and elegant design.

56



Product Name **Carel Stool 1**
SKU CAR-S-01



Product Name **Carel Stool 2**
SKU CAR-S-02



Product Name **Carel Stool 5**
SKU CAR-S-05



SKU	Product Name	Measures
CAR-S-01	Carel Stool 1	dia 32 x 79
CAR-S-02	Carel Stool 2	dia 34 x 76
CAR-S-05	Carel Stool 5	dia 35 x 76

57



Product Name **Tonic Low Stool**
SKU TON-L-S-03



Measures
dia 30 x 44

CHESS

The Chess Chair is an elegant chair born from the interpreted Norway Chair that Carel designed before.



Product Name **Chess**
SKU CHE-01

Measures	Seating height (cm)
57x53x80	47

GENESIS

A luxurious chair, the Genesis is both comfortable and imposing in any dining room or restaurant.



Beige



Black



Dark Beige



Khaki



Brown



Matte Beige



Pastel



Grey

SKU	Product Name	Measures	Seating height (cm)
GEN-01	Genesis	54x53x90	47

COLLABORATIONS

GORA DESIGN + CAREL

Glorimar Santiago has been in the furniture, interior and architectural design world for over 30 years, working in new york, san francisco, miami, london & paris. She has a masters in industrial design from Pratt Institute in New York and has held positions in award-winning EDG Interior Architecture & Design in San Francisco & Singapore, Starbucks Coffee Company for the Latin American division based in Miami, and for the co-working giant WeWork, as the FF&E manager for Europe, the Middle East, Russia and South Africa, from their HQ in London. She currently resides in Paris, France.



Ramos (Meeting + Round)	P.62
Estella	P.64
Tono + Coffe table	P.65
Contract Tables (Chimo + Lalo)	P.66
Whiteboard Table	P.68
Tonin Cocktail	P.69



Whiteboard



Tono



Tono Coffee Table



Estella



Ramos Meeting



Ramos Round



Chimo



Lalo



Tonin Cocktail

This fabulous collection created by Gora Designs is inspired by the Romanian traditions and materials, creating a refined-like quality that accentuates the natural beauty and textures of the solid wood grain. From turned legs to Romanian lace inspired shapes but also modern materials such as metal, whiteboard and marble, this collection explores a diverse range of furniture styles with a unique perspective.

RAMOS

COLLECTION

62



Product Name **Ramos Round**
SKU RAM-R-02

Size	dia 140
Top Depth (mm)	30

The mini-version of the Ramos Conference Table, the light version keeps the same elegant design and it is suitable for smaller conference rooms.



63



Product Name **Ramos**
SKU RAM-01

Size	300x110
Top Depth (mm)	30

Designed to impress, the Ramos Table combines the natural color of the timber with the strong accent of red in between its 8 massive legs.

ESTELLA

Inspired by the romanian lace tradition, the Estella Table is the ideal product to bring a smile with your dining experience.

TONO

The premier conference table is made entirely out of oak wood. The 2 massive legs bring an imposing atmosphere in any conference room.

64



Product Name **Estella**
SKU EST-01



Size	300x110
Top Depth (mm)	30

65



Product Name **Tono Table**
SKU TON-01



Product Name **Tono Coffee**
SKU TON-C-01

SKU	Product Name	Size	Top Depth (mm)
TON-C-01	Tono Coffee	100 diam.	30
TON-01	Tono Table	300x110	30

CHIMO

An impressive wood structure ensures that this table is the main attraction in your conference room. Simple, yet effective.

LALO

A classic piece reinterpreted to have edges on its round leg. It accentuates the powerful oak.

66



Product Name **Chimo**
SKU CHI-01



Size	dia 120
Top Depth (mm)	30

67



Product Name **Lalo**
SKU LAL-01

Size	dia 120
Top Depth (mm)	30



WHITEBOARD

Write on, wipe off! The versatile whiteboard table is perfect for collaborative work, learning environments, or collaboration projects with your team.

This round conference table features a solid oak top which has a whiteboard integrated in the center. The white metal leg matches perfectly with the design of the top.

TONIN COCKTAIL

This table expresses a purity of form and material with this unexpected design focus that brings a hidden elegance to any environment.

68



Product Name **Whiteboard**
SKU WHIT-01

Size dia 120
Top Depth (mm) 30

69



Product Name **Tonin**
SKU TON-C-02

Size 120x120
Top Depth (mm) 30

MATERIALS

AND TECHNICAL DETAILS

FABRICS



FABRICS INFORMATION

Composition	100% polyester
Provider	Davis
Collection	Monolith

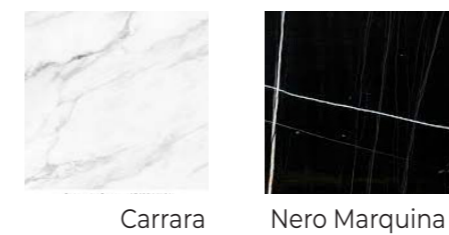
WOODEN FINISHES



METAL FINISHES



MARBLE



HPL



GENERAL TERMS AND CONDITIONS

1. GENERAL

These General Terms & Conditions (hereinafter also as "GTCs") apply to all the contractual relationships arisen between CAREL WOODWORKS, Str. Careiului no. 45, Vetis 447355 Satu Mare Romania, VAT: RO14077365 registered by in the Commercial Register maintained by the Regional Court of Satu Mare as the

Seller (hereinafter the "Seller" only) and the Purchaser. The contracting parties may change, make deletions from/ additions to some of the provisions of these GTCs only through a written agreement between both parties (such as in their purchase contract), provided that the remaining provisions of the GTCs

remain in force further on. As far as foreign trade is concerned the contract-ing parties agreed to apply the INCOTERMS 2020 interpretation rules to the contractual relationships made with reference to these GTCs, unless otherwise directed by the particular contract.

payment, or at the rate of 50 % of the value of the uncollected goods specified in the Purchase Contract if no advance payment was paid. **4/** Where the uncollected goods have been shipped subsequently and the Seller has not yet exercised the right to withdraw

in accordance with the previous point the Seller shall have the right to claim from the Purchaser the contractual penalty at the rate of 1% of the value of these goods for every default day in excess of the 21 days, but at least 100 EUR.

5/ The contractual penalties shall be payable on the delivery date of the invoice and can be set off against any received advance payment and/or other consideration received from the Purchaser.

2. CONTRACTUAL RELATIONSHIP AND ITS ORIGIN

1/ Based on the Seller's non-binding offer, the Purchaser shall place a written purchase order of the goods, which will be identified in accordance with the Seller's catalogue. The Seller reserves the right to decide about the confirmation of the purchase order, even when in part only.

The purchase order shall be deemed confirmed in writing, when either a proforma invoice or a Purchase Contract signed by the Seller is sent. If the purchaser does not raise any objections to the delivered order

confirmation with the seller within 2 days, the order confirmation is considered approved. Should the Seller confirm only a part of the Purchaser's order or should he make other changes, objections, additions or limitations to the purchase order (hereinafter as "Modified Order" only), this Modified Order shall be construed as a new contract proposal which has to be confirmed by the Purchaser anew.

The Purchase Contract shall be deemed concluded upon delivery of the confirmed Modified Order to

the Seller by the Purchaser. A mere clarification shall not, however, be construed as a change to the purchase order, when based on the Seller's technical specification.

2/ Request of the Purchaser for an additional change in the confirmed purchase order which the Seller approves of after examining the state of production is subjected availability and feasibility of the modification/ cancellations requested by changes.

4. CHANGES AND CANCELLATION

Carel acknowledges Purchase Orders as a final and binding order. In case of any Purchase Orders change or cancellation, depending on the stage in which

the orders are in production, the customer will either lose his advance, or Carel will have to collect the total amount of the order. Only if the order has not

been started in production, and the materials have not been ordered, Carel will be able to cancel the order only with a 10% penalty.

5. LOSS, DAMAGE DELAYS

Carel cannot be held liable for commercial losses, consequential damage or other damages that may arise as a result of any defects or faults in the product.

Carel is not liable for failure to ship by the acknowledged shipping date or any other

date. Carel is not liable for delays or failure in shipment or performance if the delay or failure of shipment or performance is caused by acts of omission of customers, its agents, employees, contractors, governmental offices, force majeure, or Covid-19,

delays in transportation or other similar causes that are not within Carel's reasonable control. Carel is excused from further performance of its obligations for the duration of a force majeure cause.

3. DELIVERY PERIODS, FAIRLURE TO TAKE THE GOODS

1/ The delivery period specified in the purchase order confirmation (Purchase Contract, pro-forma invoice – see the Clause II of GTCs) sent by the Seller to the Purchaser shall be binding. The delivery period shall be proportionally prolonged to allow for delays in supply of the Purchaser's material or receipt of the prepayment from the Purchaser.

The delivery periods can be prolonged upon contingencies beyond the Seller's control, such as the unexpected force majeure inter- ventions, strikes, and other

obstacles that were not caused or done by the Seller and occurred beyond the Seller's will. This shall also apply upon occurrence of these contingencies on the side of the Seller's suppliers.

Upon those circumstances, the Purchaser shall not be entitled to claim any damages or penalties resulting from the delay in delivery, if the Seller can prove, upon the request of the Purchaser, that the delay was caused by circumstances beyond the Seller's reasonable control and irrespective of the Seller's will.

2/ Unless otherwise agreed in writing, the freight expenses shall be borne by the Purchaser. The risk of damage to the goods shall pass to the Purchaser upon takeover of the goods. Any other arrangements can be regulated in writing in the purchase contracts, mainly by reference to the delivery condition under INCOTERMS 2020.

3/ In the event of uncollected goods after the withdrawal from the contract, the Seller shall have the right to invoice the Purchaser with the contractual penalty in the amount of the received advance

6. STORAGE

If a customer cannot accept delivery of their order when products are ready at Carel's dock, it is the customer responsibility to arrange transportation of product invoiced at that time.

Carel can offer storage of product, first 30 days no charge, after 30 days 1.5% of total order will be billed to customers. Customer is responsible for actual storage charges and any other expenses

relating to the storage of products or materials. Customers bear all risk of loss or products or materials in storage.

7. PACKAGING AND SHIPPING

Carel's case-good products are shipped in components form. Tops and panels are shrink wrapped with plastic foil, corner protection and cardboard

boxes. Pedestals, storage units, overheads and vertical storage units are wrapped with plastic foil with cardboard protection and cardboard boxes. If the customer

requests special shipping or delivery methods, the customer is responsible for any extra costs that may result.

FURNITURE CARE & MAINTENANCE

1. PRODUCT NATURE

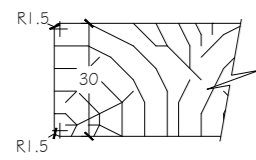
The wood is a product of nature, and as such, no two pieces are exactly the same. Wood owes its inherent beauty to variations in color, grain, and texture – therefore, these variations are not considered defects. There may be minor variations from one piece of furniture to the next, even though they are finished at the same time. Also, wood and stone are natural materials with variations of color shade, configuration, streaks and

grain structure. Each individual piece of furniture has characteristic markings that will differentiate from photographs or showroom samples.

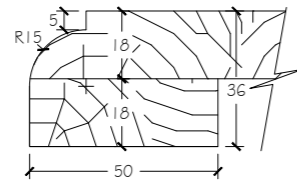
Due to the natural material used in manufacturing Carel products, variations may occur even in the architectural veneers and hardwoods. Unique characteristics inherent in some wood and stone species are beyond control of Carel and are not

considered a defect. Wood is composed of cellulose (a molecule with an affinity for water) and it is porous; as a result it is vulnerable to humidity. As wood has water as a component of its makeup your furniture will shrink and expand with changes in relative humidity and temperature, these are normal and expected changes throughout the year.

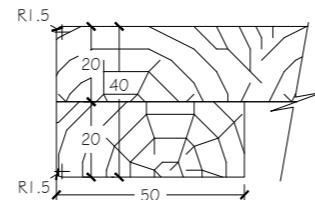
2. TOPS SECTIONS FOR CAREL COLLECTIONS



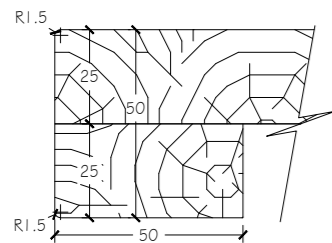
EDGE DETAIL NR.1



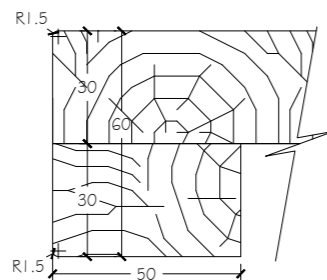
EDGE DETAIL NR.2



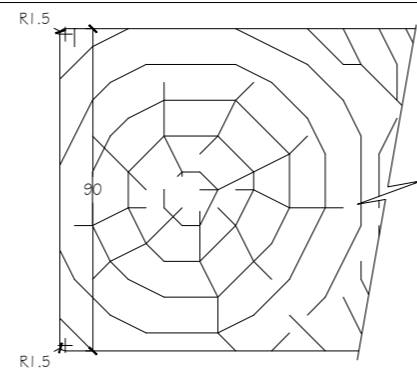
EDGE DETAIL NR.3



EDGE DETAIL NR.4



EDGE DETAIL NR.5



EDGE DETAIL NR.6

3. GENERAL MAINTENANCE

Taking quality care of your wood furniture will ensure your enjoyment for years to come. We use quality hardwoods in the production of our furniture and purchase our wood through companies that are FSC certified

When moisture in the air increases (i.e. humidity rises), wood absorbs water and swells a little; when the air dries out (i.e. humidity decreases), wood gives off moisture and shrinks. These responses to changes in humidity weaken glue joints, can cause wood to split or crack, and may damage its finish. These are all characteristics that should be accepted when purchasing solid wood furnishings and will not affect the quality or structural integrity of the piece

However if the humidity moves out of the ideal range and solid wood tables start to expand or contract, causing splits in the grain pattern and joints of the wood panels as a result of an uncontrolled environment, these are not considered defective. If the environment is not controlled these conditions should be appreciated as an inherent characteristic of solid wood.

As a manufacturer, we do everything possible to prevent the above from happening but we have no control over natural wood products. All solid wood furnishings from Carel are professionally dried to 6-8% moisture content before any production begins.

To lessen the effects of wood movement avoid placing your furniture directly in front of heat sources such as fireplaces or radiators, heat dries wood excessively so electrical components such as computers and transformers must not be placed directly on a solid wood surface otherwise cracking will occur through no fault of Carel and will not be covered under a warranty claim. Avoid exposure to direct sunlight, use a humidifier in the cooler drier seasons and air conditioners in the warmer seasons. A humidifier is always recommended in a location with solid wood products. Be sure your location has proper humidity levels throughout the year. You can purchase a humidity meter from most hardware stores. Keep in mind that wood does have a life of its own.

Change thermostat settings gradually as seasons change. A sudden change in temperature or humidity is the worst thing possible as moisture will be sucked out of or pushed into the material far too quickly causing tension inside it. Excess heat and dryness can even cause cracking and splitting within hours. It is also important to remember that placing your piece in front of a window in direct sunlight can dry out your piece and cause cracking and splits!

Protect surfaces from liquids and excessive heat. The finish is made to withstand most liquids for short periods of time. Liquids left on surfaces overnight will stain and cause substantial changes to both solid wood and veneer that may not be repairable. For the best cleaning results, one should use a damp cotton cloth moved in the direction of the grain. Do not move damp cloth in circles or against the grain – this may cause scratching on the surface. Never use silicone or wax-based products to 'polish' the furniture. This will cause a cloudy buildup and take away from the natural sheen and beauty of the wood.

WARRANTY

1. GENERAL TERMS

Carel Woodworks is confident of its quality wood products. We are extremely proud of the workmanship of our product. We realize that purchasing our furniture is an investment in quality that will last for generations to come.

That's why we offer a warranty covering defects in workmanship, material, and construction of our furniture for a period of two years starting from date of shipment.

Our products are sealed and lacquered with high quality products. We use a water based eco lacquer as the final process to protect your furniture against normal use. Although we have sourced out a very durable finishing process any finish will be stressed if not cared for properly. Burns, cuts, scratches, dents, watermarks and sun damage will affect the finish quality and therefore not covered by warranty.

Damage occurring from marking or staining of veneer surfaces due to contact with rubber, pen, pencil or similar compounds as well as damage from sharp objects or imprinting from writing instruments is not covered under Carel warranty.

Also cleaning with detergents, abrasives or other improper cleaning agents will breakdown the finish. The preceding actions are not covered by this warranty. Minor variations in color and wood grain will occur between furniture pieces and these are normal.

The products are not engineered nor designed to be used as seats or ladders. Standing on tables may cause tipping and/or structural problems that may not be field-repairable. Solid wood tables should not be pushed or dragged, this can cause the legs to get stuck because of the weight, therefore weaken the screws and

holes causing the legs to come out or break.

Products using customer-supplied materials, fabrics, leather, pulls, hardware or any components manufactured by others are not covered under Carel warranty.

This warranty does not apply to any defects or damages caused during shipment or due to lack of proper care/maintenance or resulting from assembly or installation misuses or accident.

Negligence, neglect, incorrect maintenance, abuse, misuse, or accidents by the customer as well as damage from normal wear and tear such as dents, nicks, scratches, fading and improper maintenance will void the warranty.

Carel assumes no responsibility for product damages resulting from installation or user modification.

2. CLAIMS & PROCEDURES

Carel strongly recommend that all cardboard shipments to be inspected for visual outside damage to the package. Damages and piece count shortages must be noted on the bill of lading. Freight claims must be filed within 30 days (including cartoned shipments with concealed damages). Contact Customer Service for warranty / freight claim form at email office@Carel.ro and a delightful company representative will get back to you as soon as possible.

If a defect is found by the customer during that period, it is important you promptly notify

Carel Woodworks. Explanations and photos are needed in order to establish the cause of the damage. Also, the complaint related to the product must be made based on the product label affixed on the inside of the furniture item which contains information regarding the product manufacturing (photo needed).

We will then replace the defective item only if repair on site cannot be made, or substitute a different item free of charge.

In case of replacement, the installation and assembly on site will be charged to the client. Free

of charge is considered only the replacement shipment, with the DAP delivery condition active (this applies to European Union), if the client is outside European Union, the shipment costs falls entirely on the client's responsibility. In some situations we will offer a refund. The final decision is at the discretion of Carel Woodworks.

Also, if a product replacement is agreed, the client must return to Carel the defective product when the new one is delivered.

It does not include freight costs to and from factory or inspection fees – these costs are the responsibility of the customer.



